

# The Learning TOWER™

## Instructions for the use of THE ART EASEL

**Easily mounts for use on The Learning Tower or  
Easily mounts for use on a separate wall**

*As with all learning tools, parents should actively supervise and guide their child's experience with little Partners, Inc. Art Easel which includes:*

- 1 Chalkboard
- 1 Dry-Erase/Magnetic Board
- 1 Wall Mount and hardware (2 screws)
- 1 Magnetic Strip (for Dry-Erase Board)
- 1 Art Supply Tray Holder

*little Partners, Inc. Art Easel is designed for children 18-months and older. Always use with adult supervision to ensure your child's safety and security.*



1. **little Partners, Inc. Art Easel** is designed to use with The Learning Tower. Simply attach to the straight horizontal edge on either side of The Learning Tower and push down firmly.
2. **little Partners, Inc. Art Easel** is also designed for stand-alone use without The Learning Tower by attaching the Wall Mount with two screws. Before mounting the Art Easel, turn the two wooden pegs attached to the bottom of the easel so they are parallel with the wooden frame in order to lay flush against the wall.
3. **little Partners, Inc. Art Easel** has a Chalkboard one side and a Dry-Erase/Magnetic Board on the other with an easily attachable Art Supply Tray Holder. Before flipping sides on the easel: lift the tray holder with two hands, turn the easel around, then re-attach the tray holder by inserting the attached screws on back of tray holder into corresponding holes on the easel and push tray holder down firmly to fit into slots on easel.
4. The wooden Art Supply Tray Holder has two 2-3/4" diameter paint-pot holders which can be fitted with plastic cups or paint pots. The tray holder also has an indented area (8" long x 3" wide) to hold an eraser, paint brushes, chalk and markers.
5. Washable, non-toxic paints and washable non-toxic markers are recommended for use. Use a damp cloth to clean the Dry Erase Board when washable markers are used. Dry thoroughly before using again.
6. **little Partners, Inc. Art Easel** includes a Magnetic Strip which can be attached to the Dry-Erase/Magnetic Board to hold paper for use with paints and crayons. Toddlers can use their favorite magnetic numbers, letters and shapes on the Dry-Erase/Magnetic Board and pre-schoolers will enjoy drawing with the washable dry-erase markers.

**Rose & Lily Australia Pty Ltd | PO Box 3280, Newmarket QLD 4051  
Tel: 1300 119 837 / Fax: (07) 3352 7002. [www.roseandlily.com.au](http://www.roseandlily.com.au)**

# Art Easel tips for tots using the Chalkboard:

- Chunky chalk with round ends works best for toddlers who tend to hold chalk in a fist grip. At this age, playing with chalk is a tactile and whole-hand experience. The **little Partners, Inc. Art Easel** provides a firmly anchored, toddler-sized chalkboard for them color and smear to their heart's content!
- Chalk sticks with a pointed-end are best for preschoolers who are trying to draw realistically (flowers, houses) rather than just abstractly. At this age, they enjoy drawing and coloring alongside friends.
- Soft pastels/chalk with more pigment, are a good choice for Kindergartners and up who are better able to work around chalk's challenges (tendency to break and smear). At this age, with more control and patience, they are ready for mixed-media projects such as chalk over dried watercolor.

With both a Chalkboard and a Dry-Erase/Magnetic Board, the **little Partners, Inc. Art Easel** provides twice the fun for the K+ set!

**Rose & Lily Australia Pty Ltd | PO Box 3280, Newmarket QLD 4051**  
**Tel: 1300 119 837 / Fax: (07) 3352 7002. [www.roseandlily.com.au](http://www.roseandlily.com.au)**

© 2008 little Partners, Inc.

*Our products are always improving; therefore appearance and/or content may vary from photographs.*



## **PLEASE DO NOT RETURN THIS PRODUCT TO THE STORE**

If you are experiencing technical problems or have questions regarding this product, please contact the Australian distributor  
Rose & Lily Australia on:

**1300 119 837**

If you require additional copies of our assembly instructions,  
please visit the Assembly Instruction page on our website:

**[www.learningtower.com.au](http://www.learningtower.com.au)**



## **Thank You!**

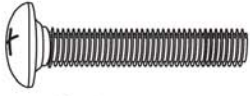
Rose & Lily Australia Pty Ltd | PO Box 3280, Newmarket QLD 4051  
Tel: 1300 119 837 / Fax: (07) 3352 7002. [www.roseandlily.com.au](http://www.roseandlily.com.au)





## ASSEMBLY INSTRUCTIONS

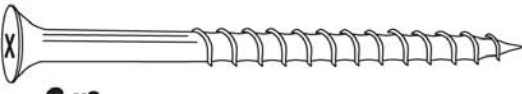
### PARTS LIST



**A** x8



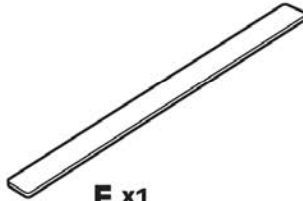
**B** x2



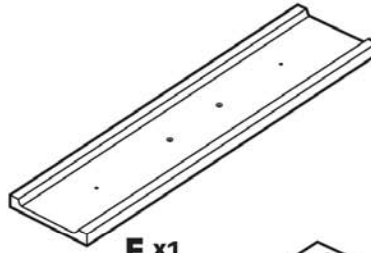
**C** x2



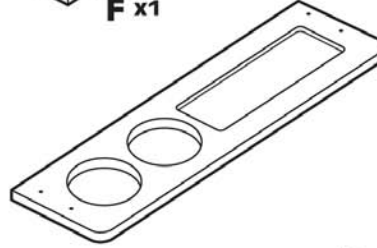
**D** x1



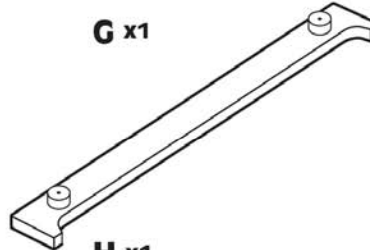
**E** x1



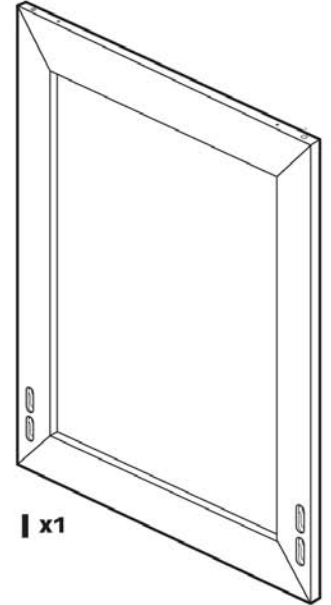
**F** x1



**G** x1



**H** x1



**I** x1



**J** x2



**K** x2

### PLEASE READ BEFORE USING THE ART EASEL

Please observe the following operating, maintenance and disposal WARNINGS to reduce and prevent serious injury to children using **The little Partners Art Easel**:

#### Operating Instructions:

1. Children must not use **The little Partners Art Easel** until assembly is completed and Easel is set securely on **The Learning Tower™** or securely mounted on a wall.
2. Adult supervision is required. Children should be instructed not to use **The little Partners Art Easel** in any manner other than intended.
3. Children should be instructed not to climb on **The little Partners Art Easel**.

#### Maintenance Instructions:

4. Adults should check all nuts and bolts twice monthly for tightness and tighten any that are loose.

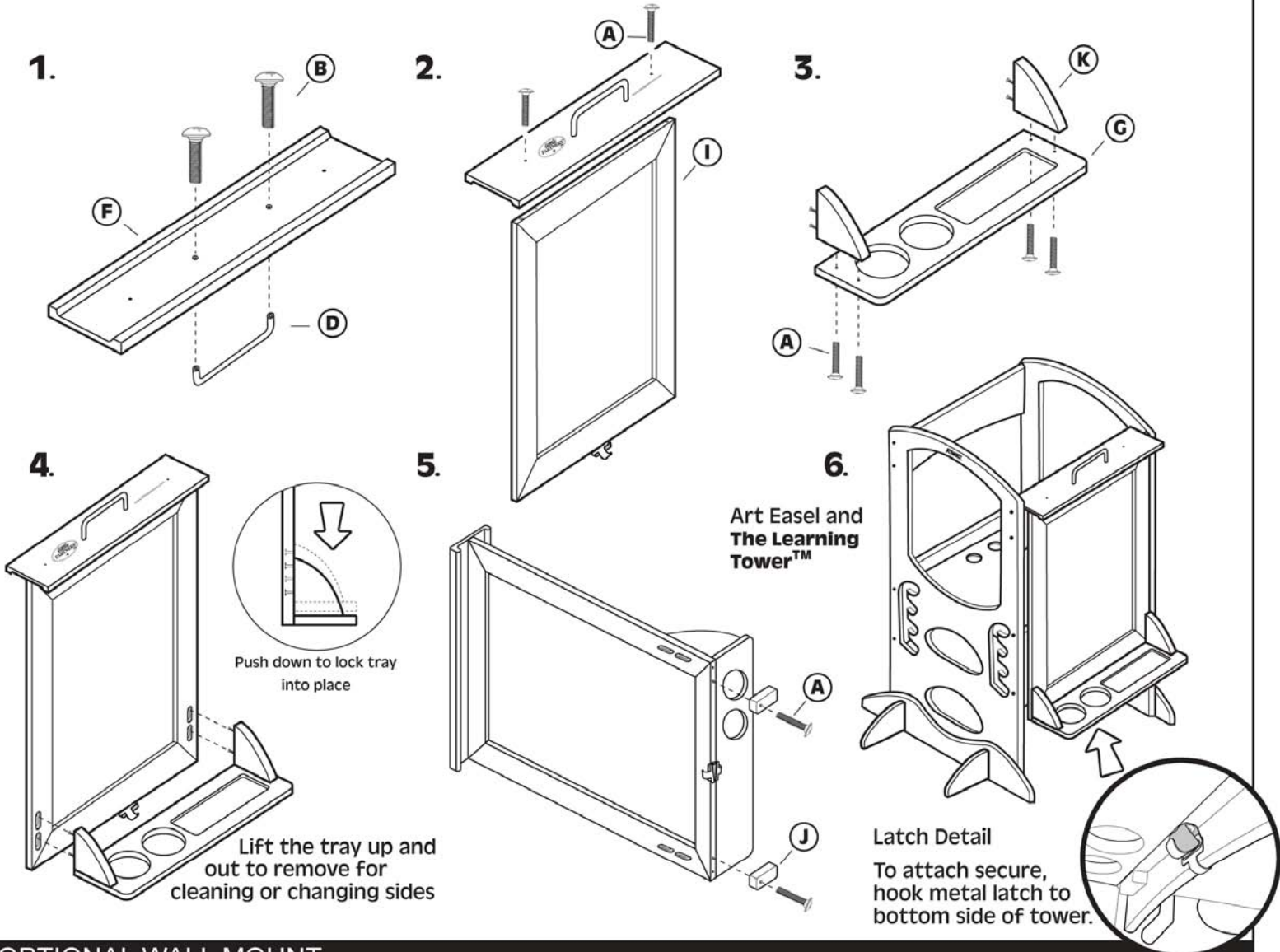
#### Disposal Instructions:

5. **The little Partners Art Easel** should be completely disassembled and disposed of in such a way that no unreasonable hazards will exist when it is discarded.



## ASSEMBLY INSTRUCTIONS

### ASSEMBLING THE ART EASEL



### OPTIONAL WALL MOUNT

